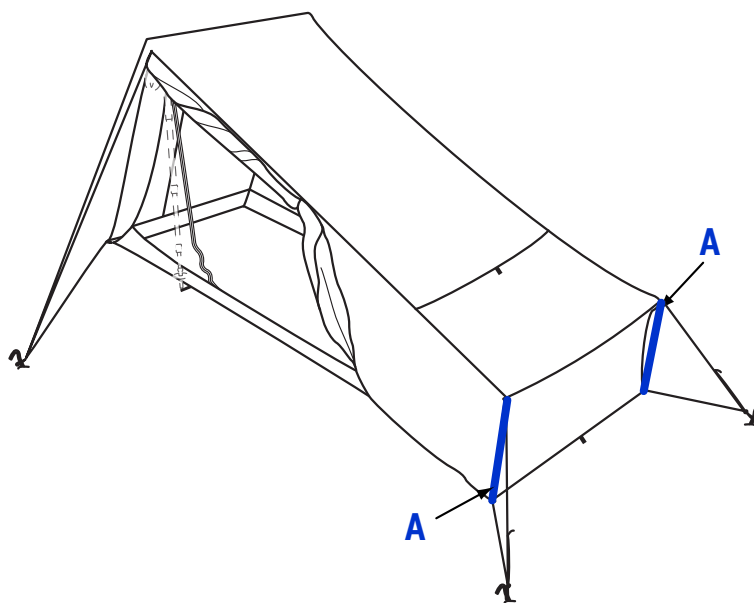


FORCLAZ

TENT TARP 900 2P

model code :
8612300



A x 2 380 mm - Ø 8,5 mm



21 cm

17 cm

