

# MENABO

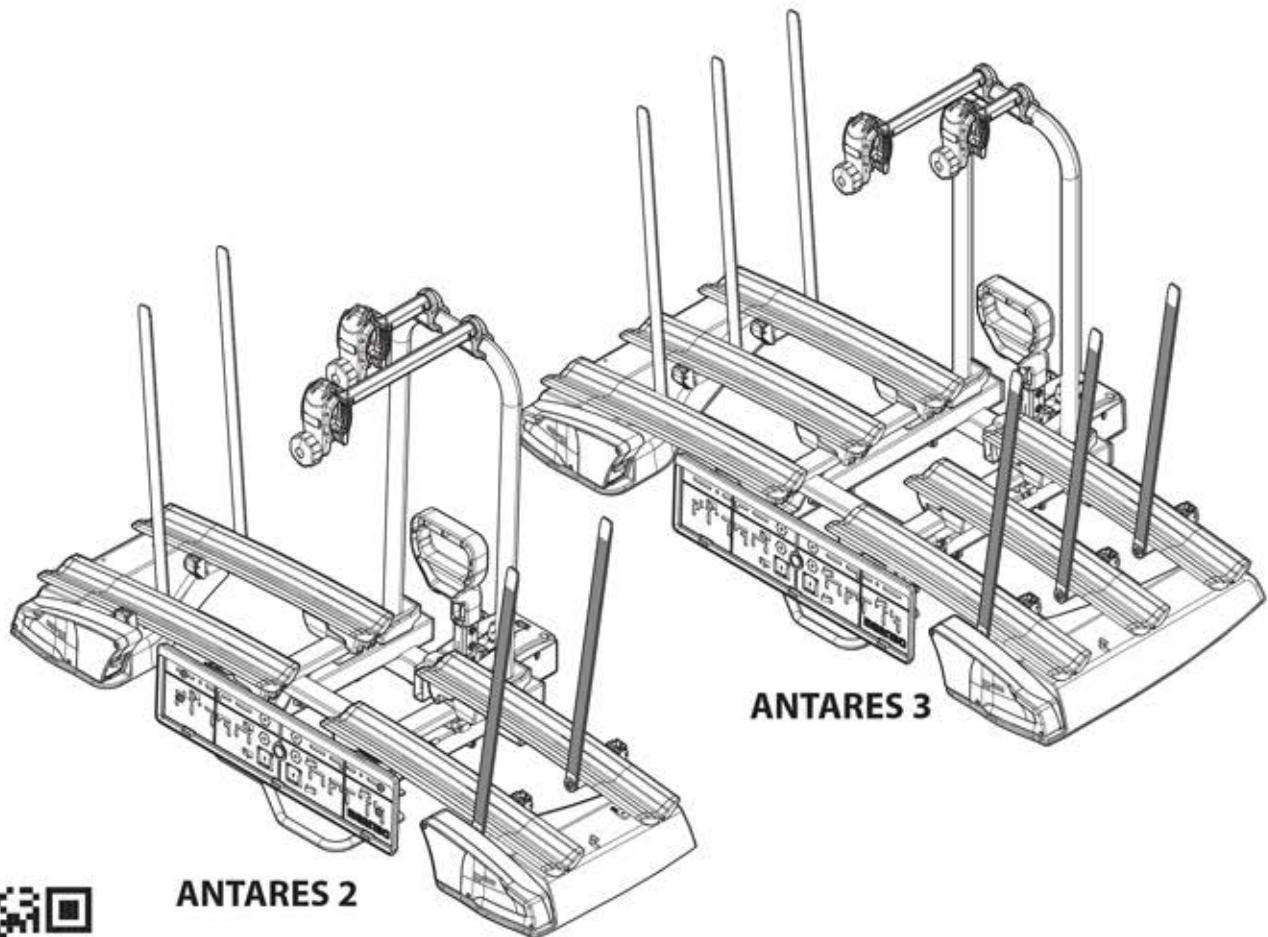
free time on the move

## ANTARES 2 ANTARES 3

IT Istruzioni di montaggio  
EN Fitting instructions  
DE Montageanleitung  
FR Instructions de montage  
ES Instrucciones de montaje  
BG инструкции за сглобяване  
CS Návod na montáž  
DA Monteringsvejledning  
EL Οδηγίες συναρμολόγησης

ET Paigaldusjuhend  
FI Asennusohje  
HR Uputa za sastavljanje  
HU A felszerelés módja  
LT Pritvirtinimo instrukcijos  
LV Stiprināšanas instrukcija  
NL Instrukcja montażu  
NO Monteringsveiledning  
PL Instrukcja montażu

PT Instruções de Montagem  
RO Instrucțiuni de montare  
RU Инструкции по установке  
SK Návod na montáž  
SL Navodila za pritrjevanje  
SV Monteringsanvisning  
TK Uydurma talimat  
ZH 裝修指導  
AR تعليمات التجميل



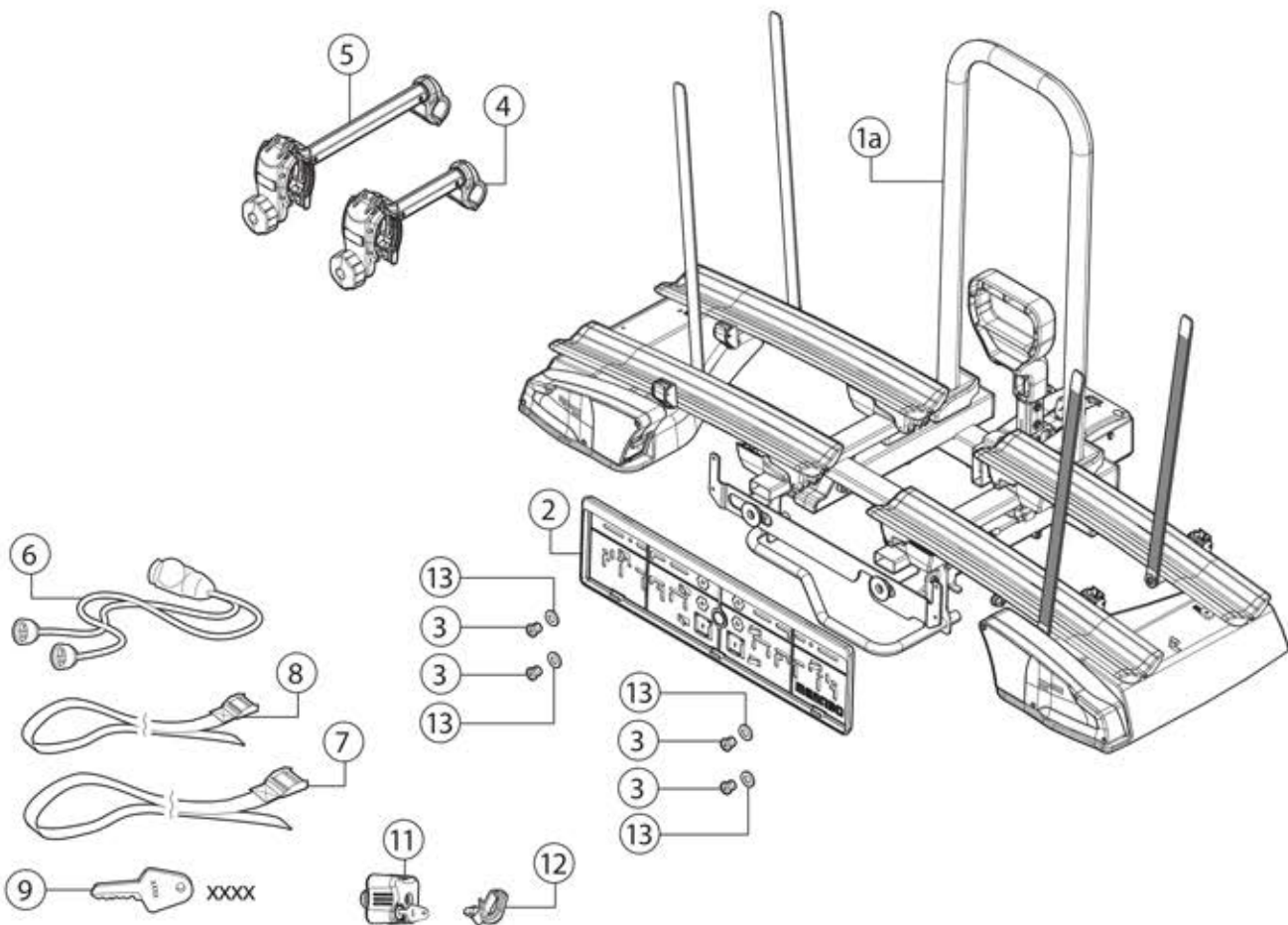
Made in Italy



## ANTARES 2

N.	(IT)Componenti (Inclusi) (EN)Components (Included) (FR)Composants (Comprises) (DE)Die Komponenten (im Lieferumfang enthalten) (ES)Componentes (Incluido)	Q.
1a		1
2		1
3		4
4		1
5		1
6		1
7		1
8		1
9		2
11		2
12		10
13		4

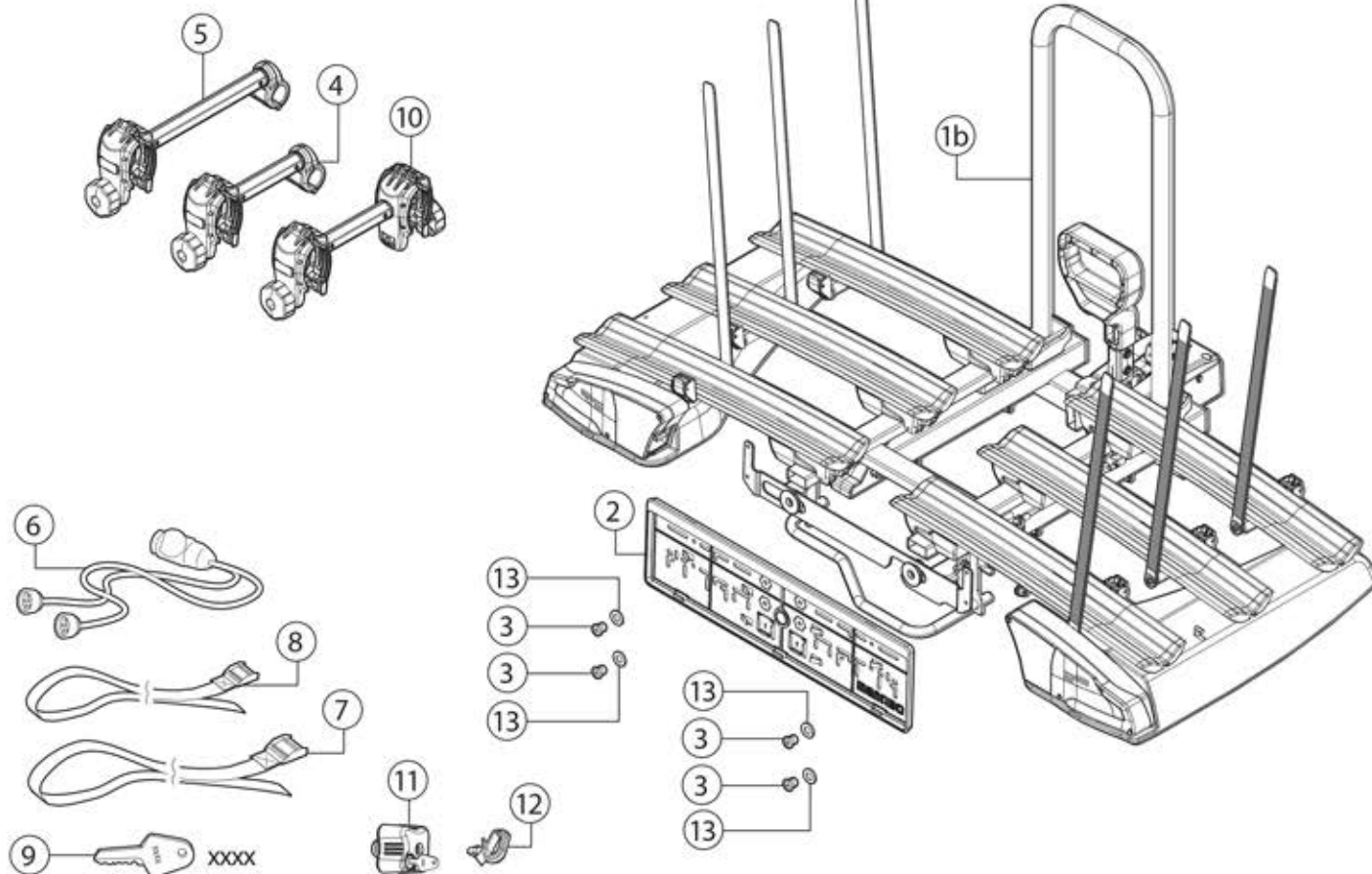
N.	(IT)Ricambi (A Richiesta) (EN)Spare Parts (Made to order) (FR)Pièces de rechange (Sur commande) (DE)E Teile (auf Anfrage) (ES)Piezas de recambio (Previa solicitud)	Codice-Code-Código	Q.
2		700007500000	1
3		700044400000	4
13			4
4		700003200000	1
5		700017800000	1
6		700033600000	1
7		700001100000	1
8		700033400000	1
11		000026400000	1
12		700024000000	2
A		700033700000	1
B		700033800000	1
C		700044300000	1
D		700044200000	1
E		700034100000	2
F		700031500000	1
G		700031300000	1
H		700031400000	1



## ANTARES 3

N.	[IT]Componenti (Inclusi) [EN]Components (Included) [FR]Composants (Compris) [DE]Die Komponenten (im Lieferumfang enthalten) [ES]Componentes (Incluido)	Q.
1b		1
2		1
3		4
4		1
5		1
10		1
6		1
7	2,5m - 8ft	1
8	1m - 3ft	1
9		2
11		4
12		10
13	ø5x15	4

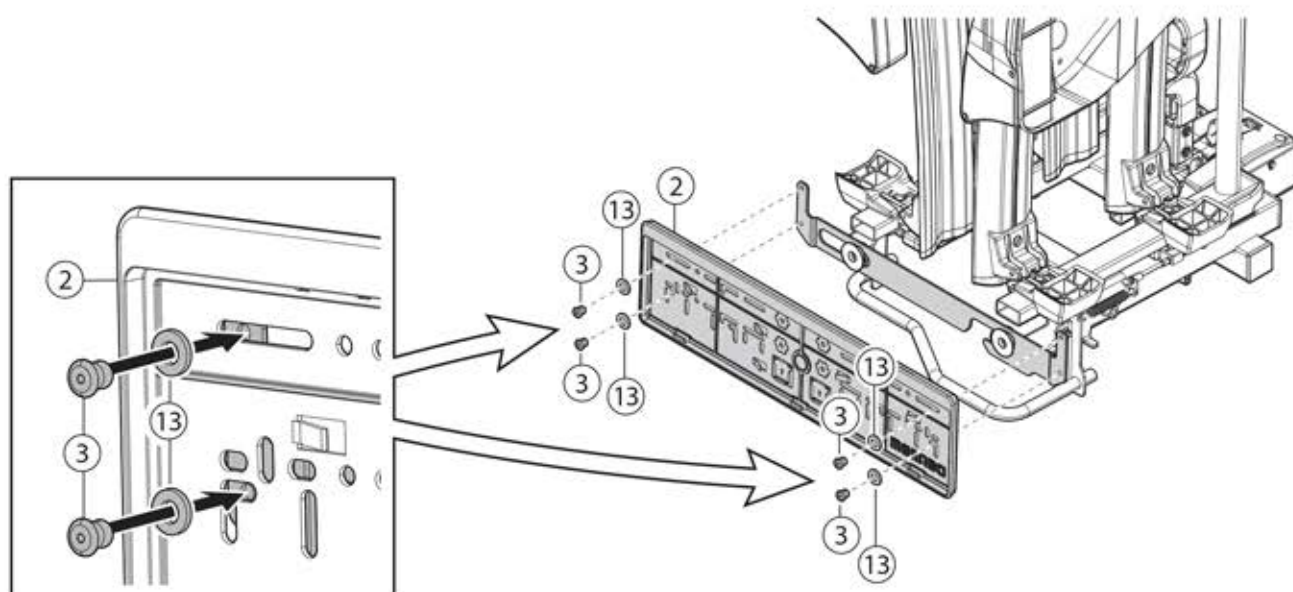
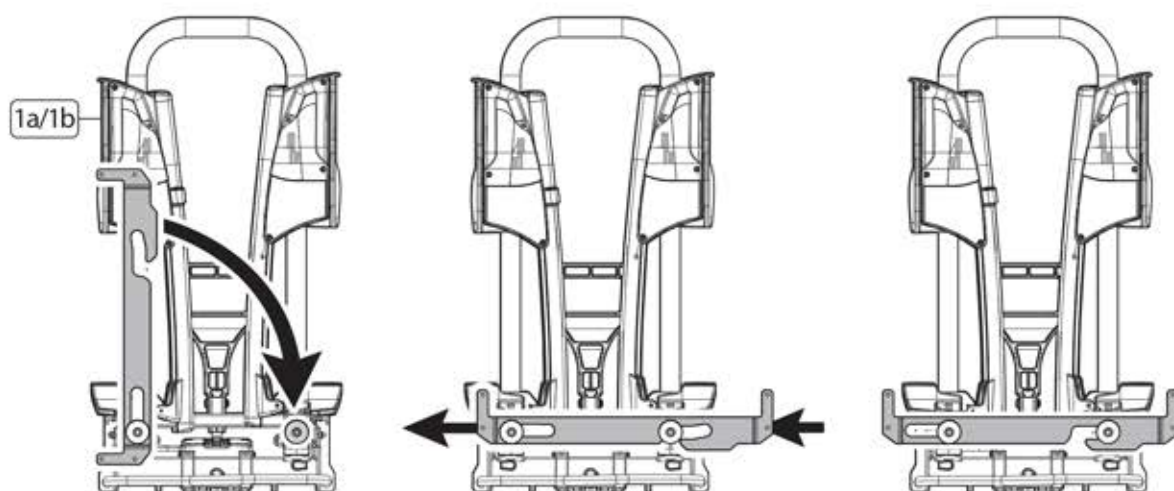
N.	[IT]Ricambi (A Richiesta) [EN]Spare Parts (Made to order) [FR]Pièces de rechange (Sur commande) [DE]E Teile (auf Anfrage) [ES]Piezas de recambio (Previa solicitud)	Codice-Code-Código	Q.
2		700007500000	1
3		700044400000	4
13	ø5x15		4
4		700003200000	1
5		700017800000	1
6		700033600000	1
7	2,5m - 8ft	700001100000	1
8	1m - 3ft	700033400000	1
10		700006900000	1
11		000026400000	1
12		700024000000	2
A	dx	700033700000	1
B	sx	700033800000	1
I	sx	700034000000	1
L	dx	700033900000	1
E		700034100000	2
F	+	700031500000	1
G	sx	700031300000	1
H	dx	700031400000	1



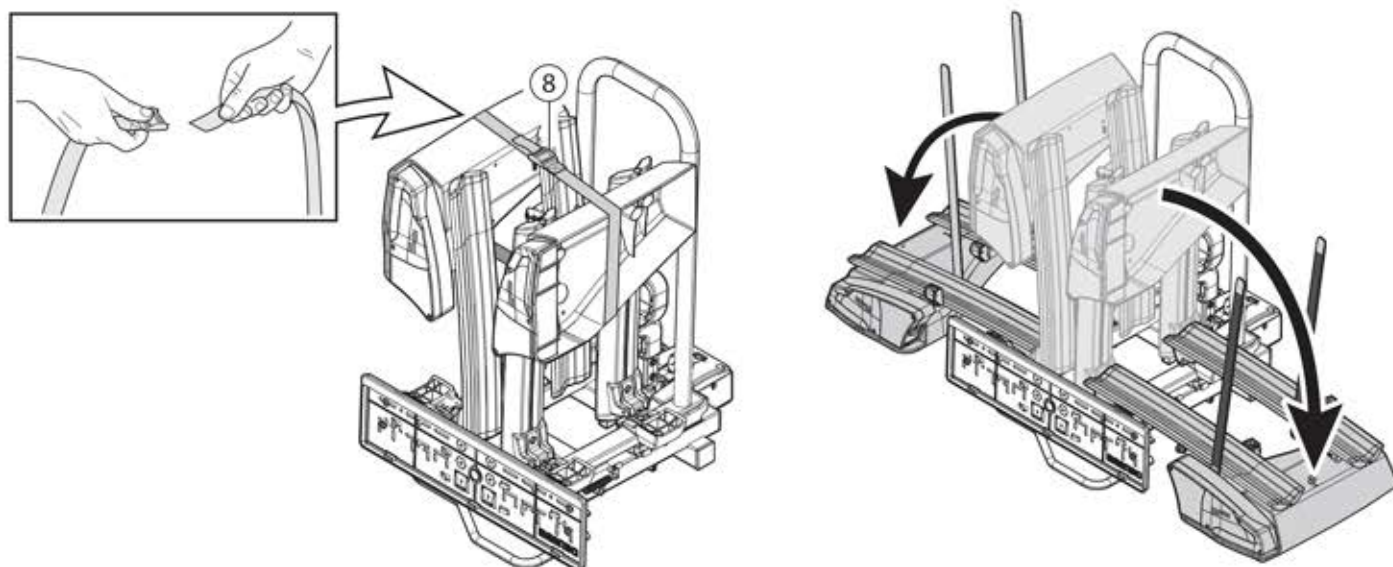


① — ANTARES 2 / ANTARES 3

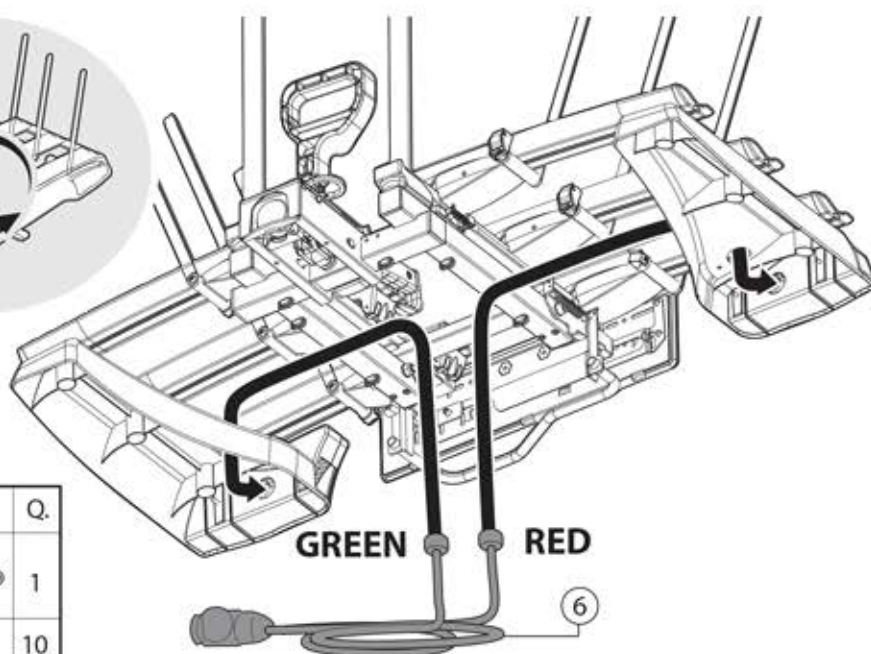
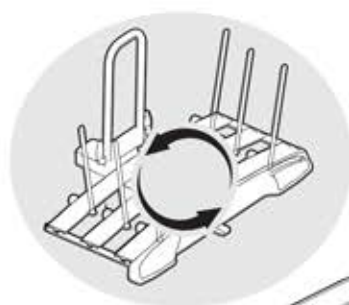
N	Q
1a	1
1b	1
2	1
3	4
13	4



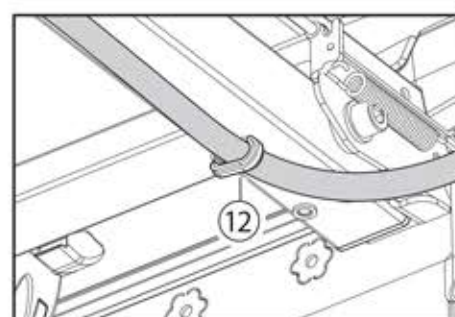
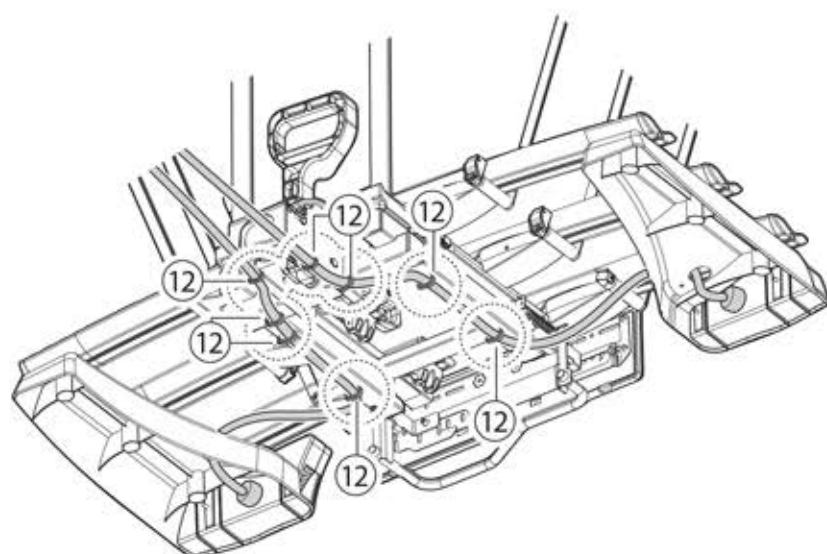
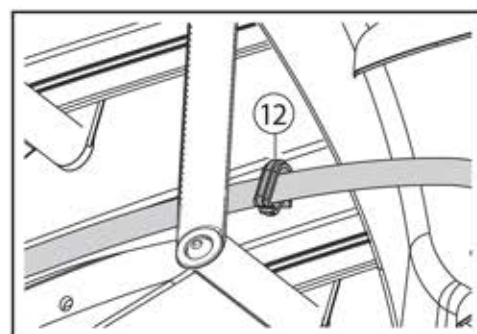
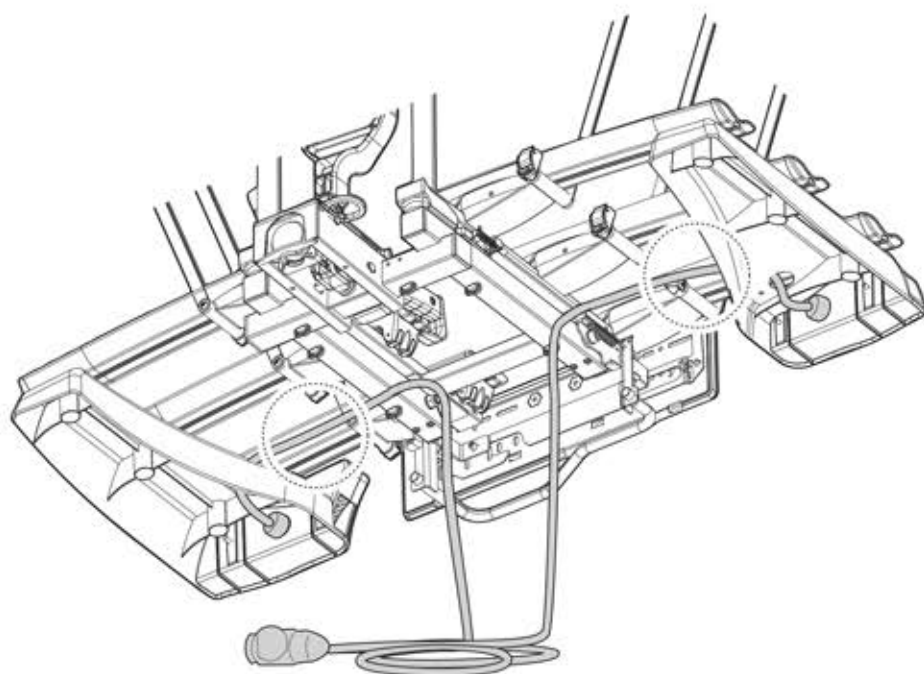
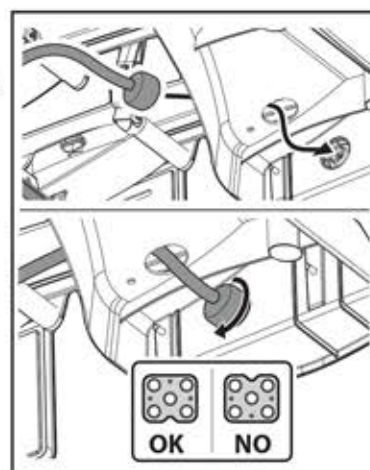
② — ANTARES 2 / ANTARES 3



③ — ANTARES 2 / ANTARES 3

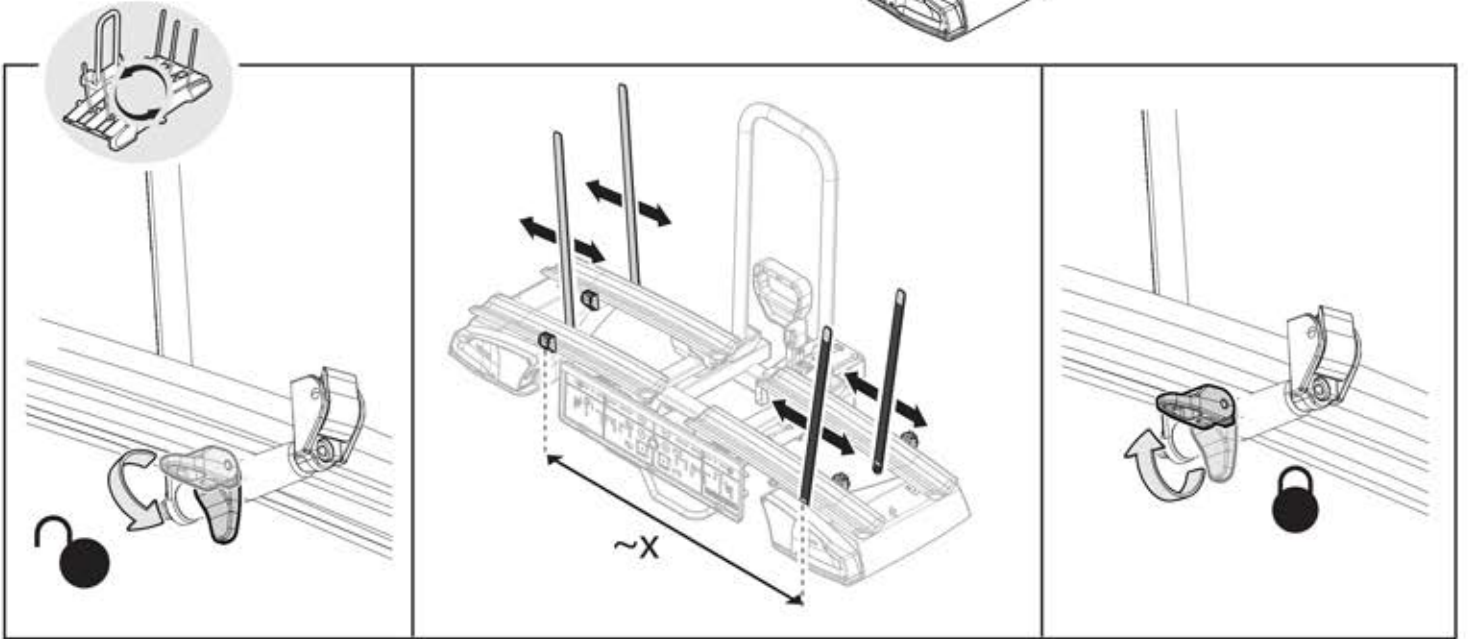
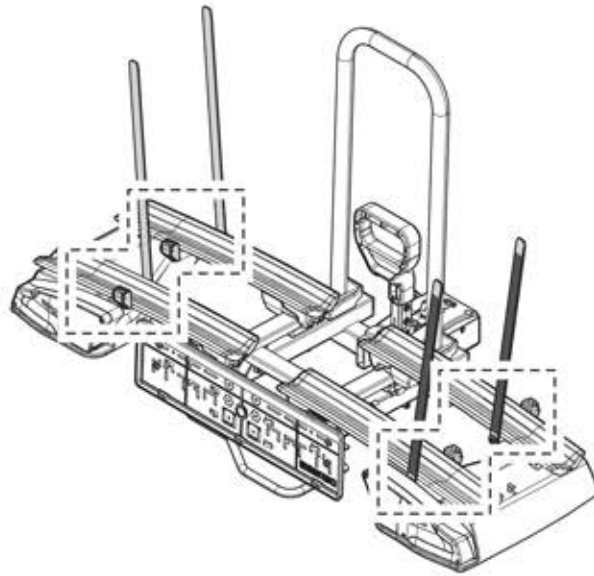
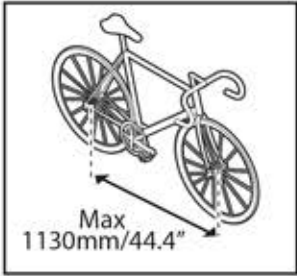


N.	Q.
6	1
12	10



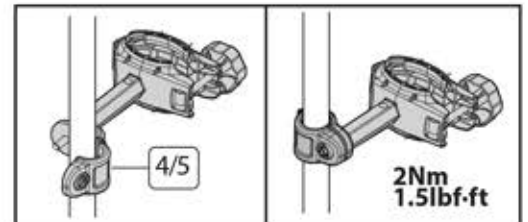
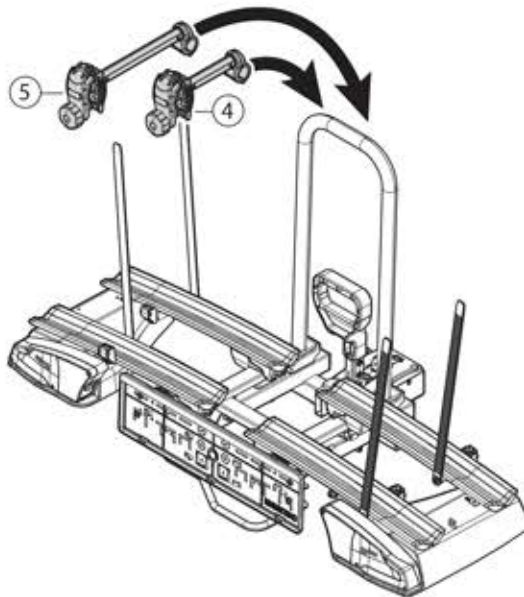


④— ANTARES 2 / ANTARES 3

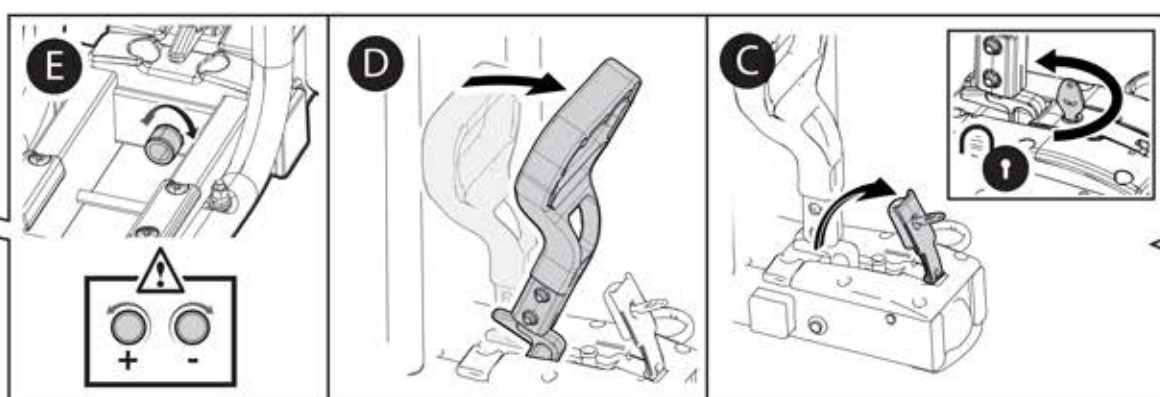
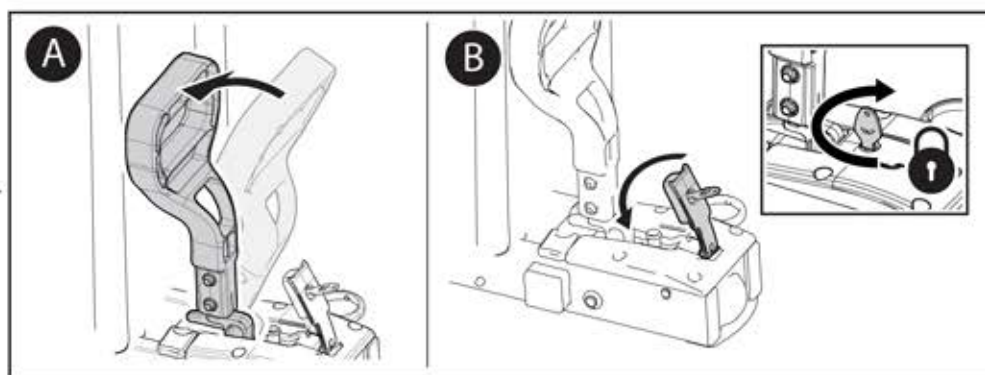
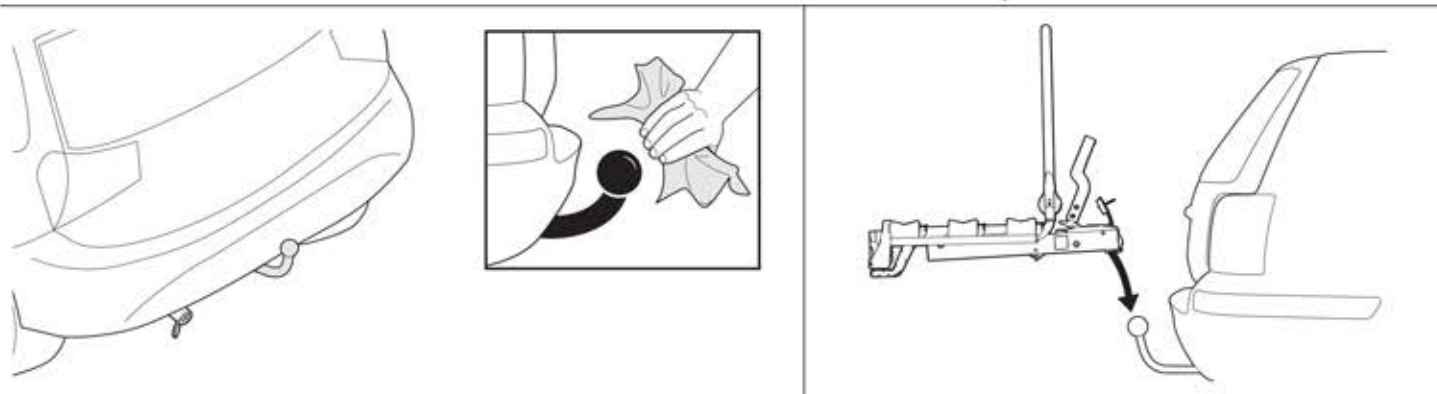
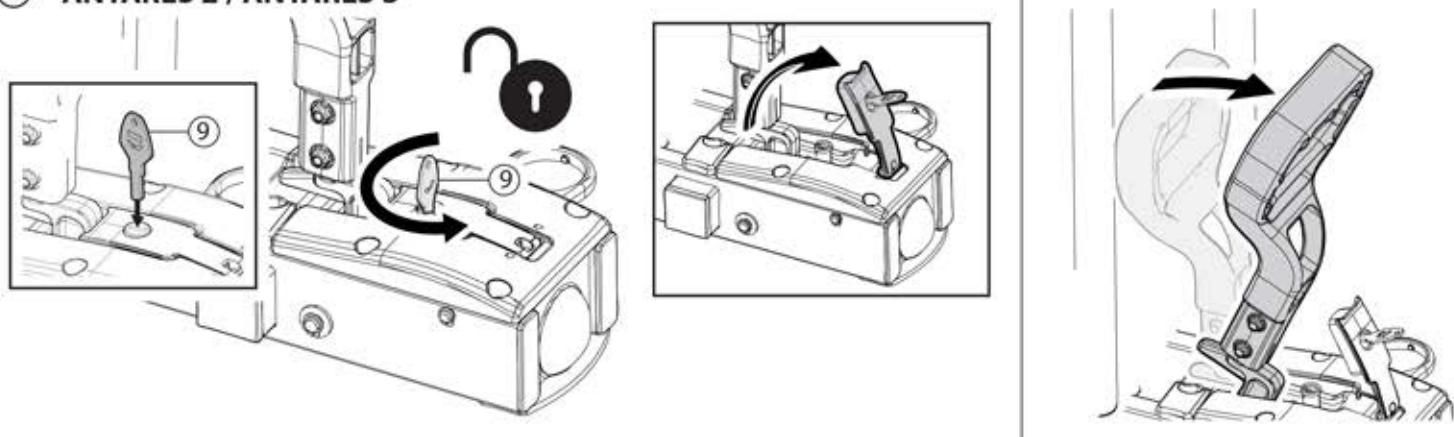


⑤— ANTARES 2 / ANTARES 3

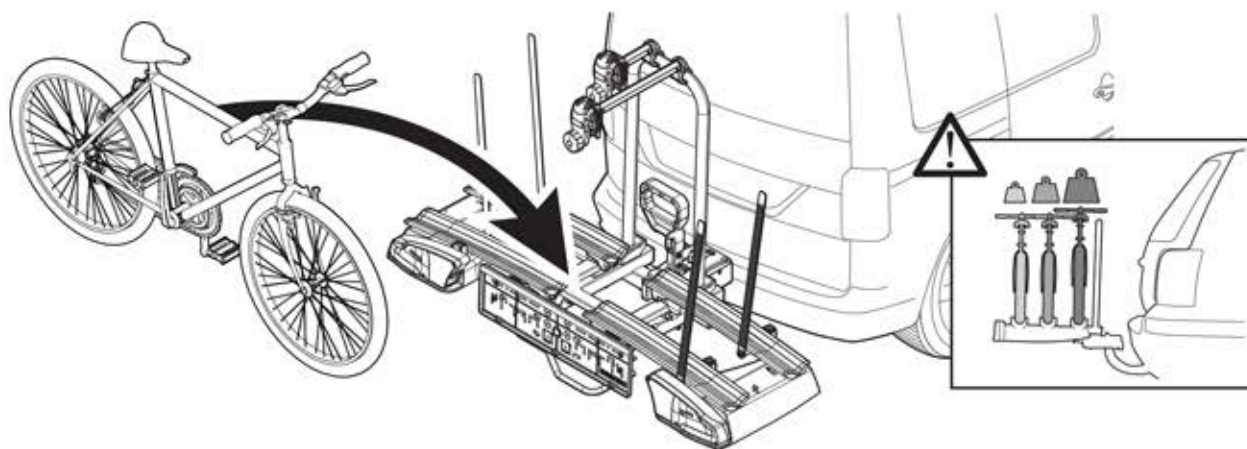
N		Q
4		1
5		1



6 ANTARES 2 / ANTARES 3



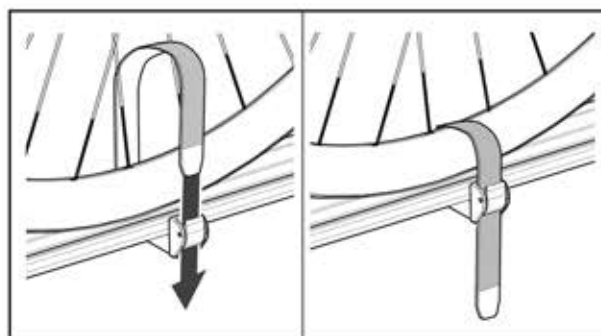
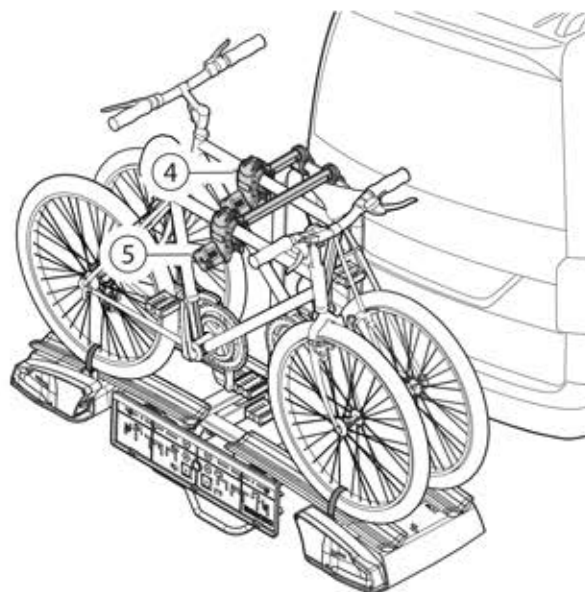
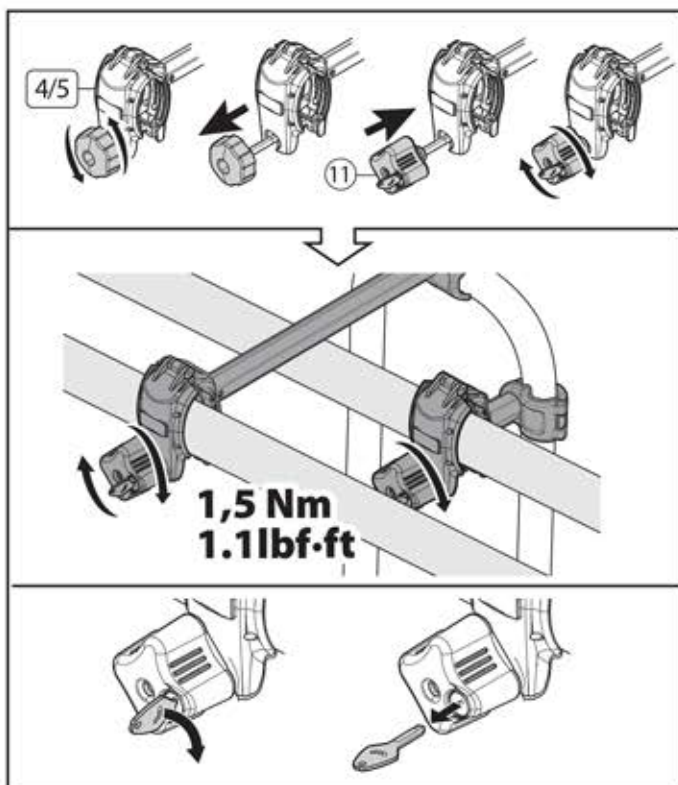
⑦— ANTARES 2 / ANTARES 3



			MIN Ø30 mm / 1.2" MAX Ø50 mm / 2"		MIN 22" MAX 29"		MAX 110mm / 4.3"		MAX 1130mm / 44.4"
		MIN 30x60 mm / 1.2"x2.4" MAX 50x70 mm / 2"x 2.7"	MAX 29"		MAX 1130mm / 44.4"				

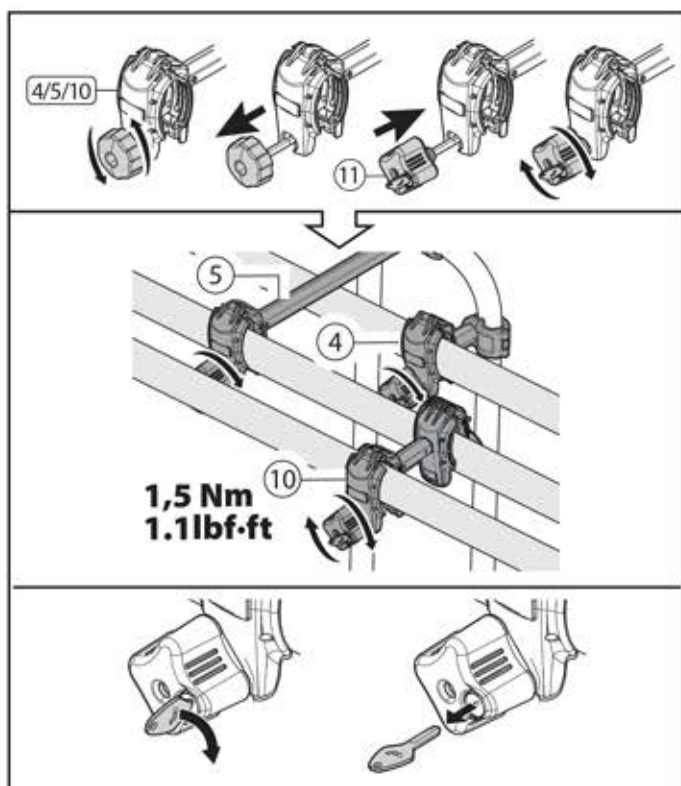
⑧— ANTARES 2

N	Q
11	2

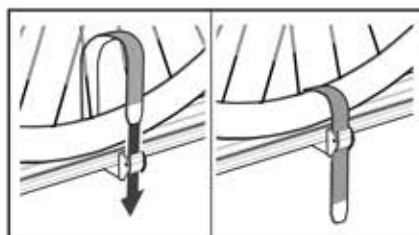
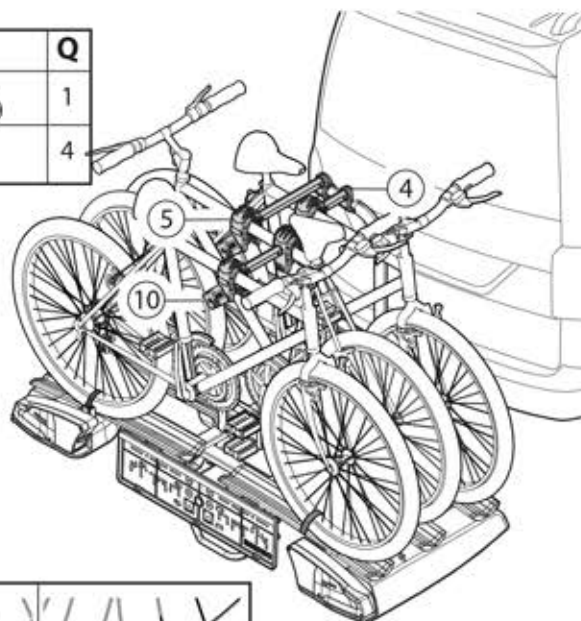




9— ANTARES 2 / ANTARES 3

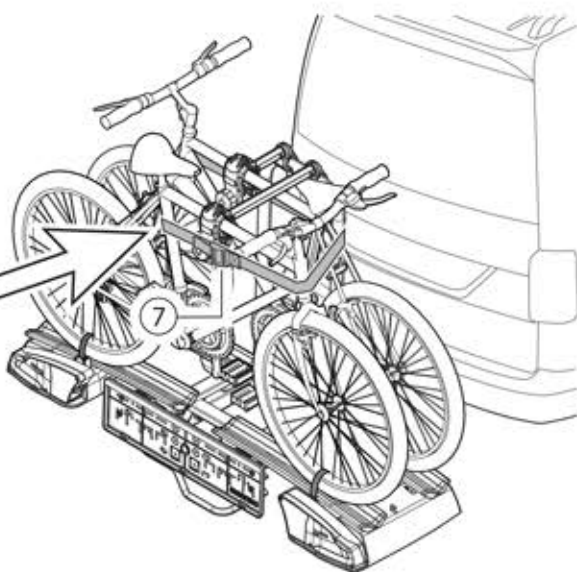
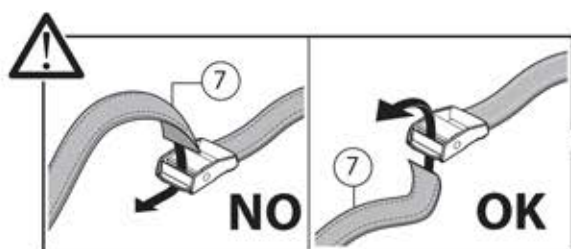


N		Q
10		1
11		4

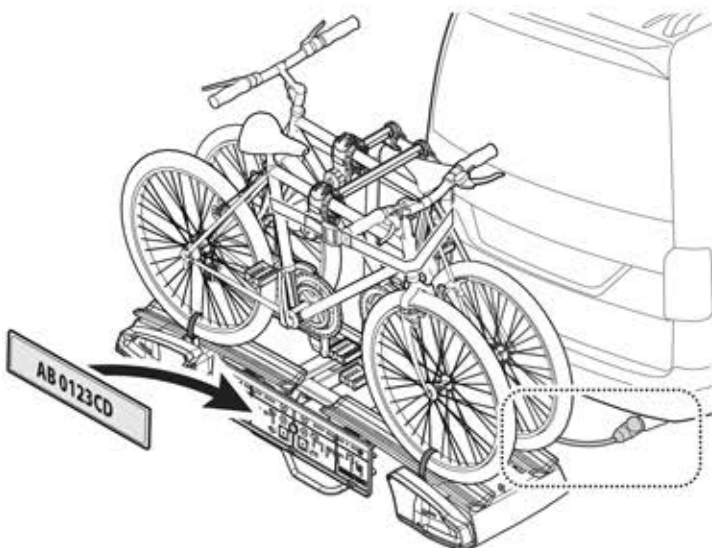
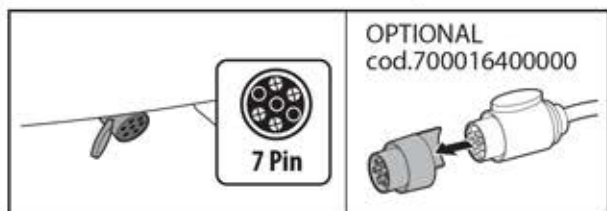


10— ANTARES 2 / ANTARES 3

N.		Q.
7	2,5m - 8ft	1

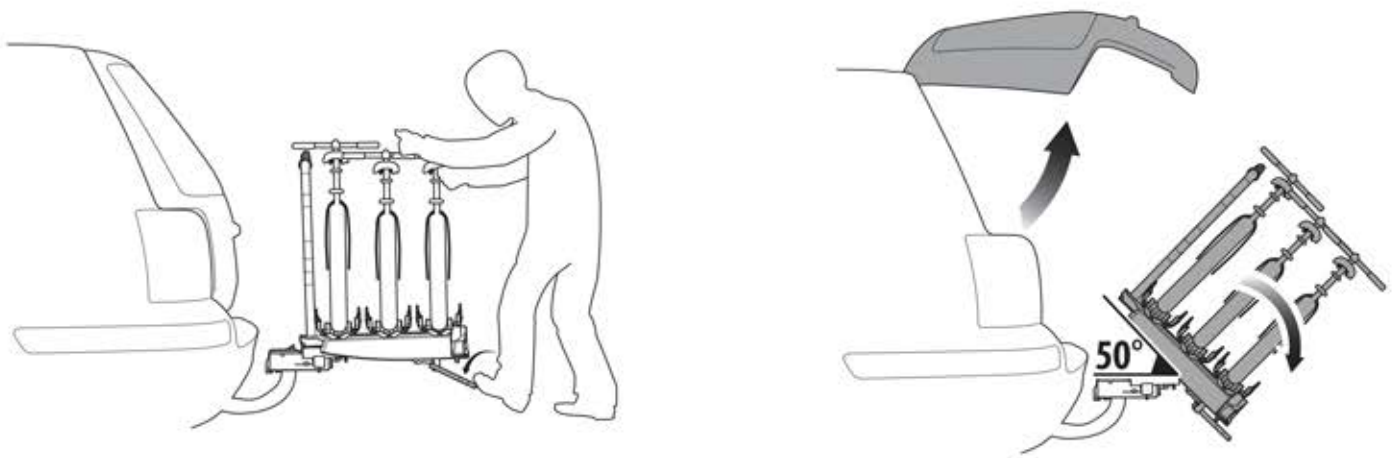


11— ANTARES 2 / ANTARES 3

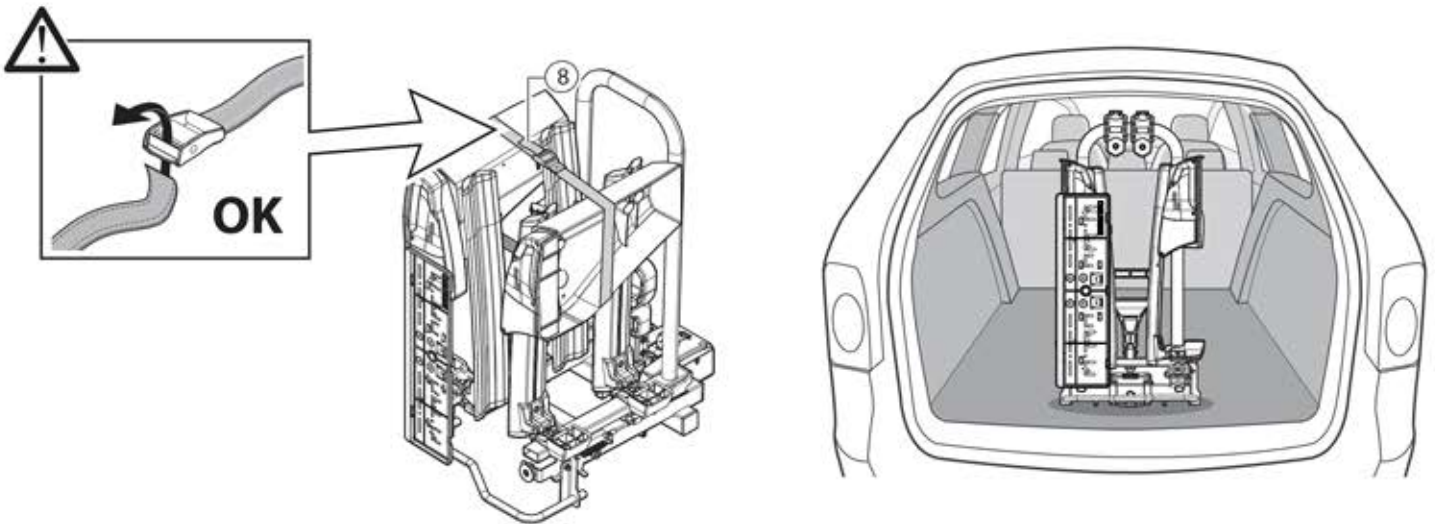
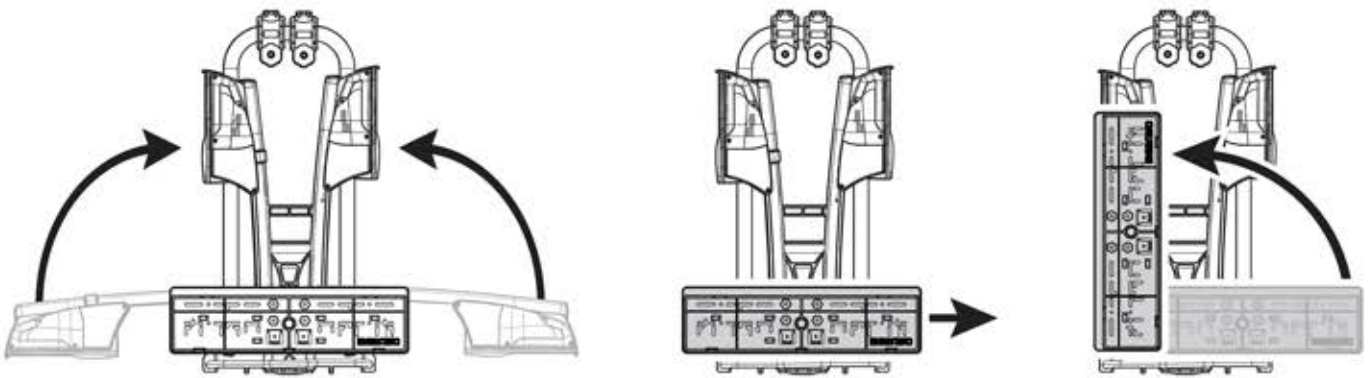


12 — ANTARES 2 / ANTARES 3

TILTING SYSTEM

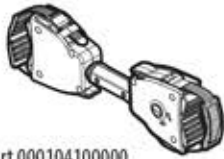


13 — ANTARES 2 / ANTARES 3



## OPTIONAL

**BRACCETTO DOPIO  
DOUBLE RATCHET**



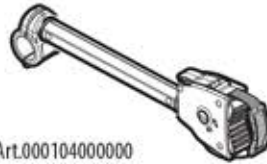
Art.000104100000

**BRACCETTO CORTO  
SHORT RATCHET**



Art.000103900000

**BRACCETTO LUNGO  
LONG RATCHET**



Art.000104000000

**EVIDENCE MIRROR**



Art.000083100000

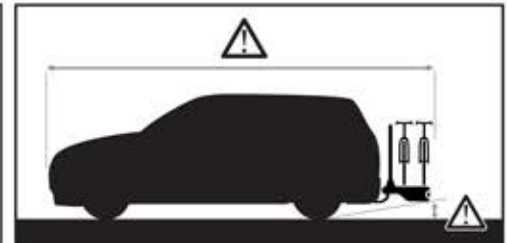
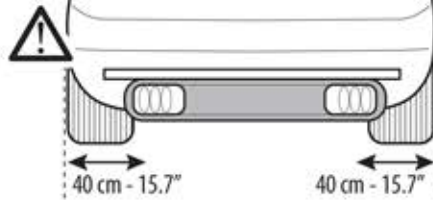
**RAMPA  
RAMP**



Art.000082100000

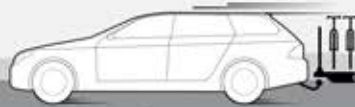
<b>MAX</b>  94/20/CE STANDARD	Antares 2	x2  MAX 30kg - 66lb	Antares 3	Standard  MAX 20kg - 44lb	OR  E-bike MAX 30kg - 66lb	 Car Manual
	50 kg - 110lb 60 kg - 132lb 70 kg - 154.3lb 80 kg - 176.4lb >80 kg - 176.4lb	16 kg - 35.2lb	34 kg - 75lb 44 kg - 97lb 54 kg - 119lb 64 kg - 141lb 64 kg - 141lb	18,4kg - 40.5lb	31.6 kg - 69.6lb 41.6 kg - 92lb 51.6 kg - 114lb 61.6 kg - 136lb 61.6 kg - 136lb	

**No Tandem**



**130**  
km/h

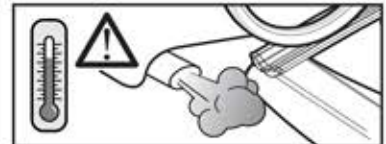
**80**  
mph



SPEED



SPEED







**F.lli Menabò S.r.l.**  
Via 8 Marzo, 3  
42025 Cavriago (RE) Italy  
cutomercare@flli-menabo.it  
www.menabocaraccessories.com

#### Product registration

(IT) [eu.menabocaraccessories.com/ita/product-support-ita](http://eu.menabocaraccessories.com/ita/product-support-ita)  
(EN) [eu.menabocaraccessories.com/eng/product-support-eng](http://eu.menabocaraccessories.com/eng/product-support-eng)  
(DE) [eu.menabocaraccessories.com/deu/product-support-deu](http://eu.menabocaraccessories.com/deu/product-support-deu)  
(FR) [eu.menabocaraccessories.com/fra/product-support-fra](http://eu.menabocaraccessories.com/fra/product-support-fra)  
(ES) [eu.menabocaraccessories.com/esp/product-support-esp](http://eu.menabocaraccessories.com/esp/product-support-esp)

Cod.Istr.	Data
500038900000	22/04/2021

www.menabocaraccessories.com

Name

Surname

Email

Telephone

Serial number

Product name